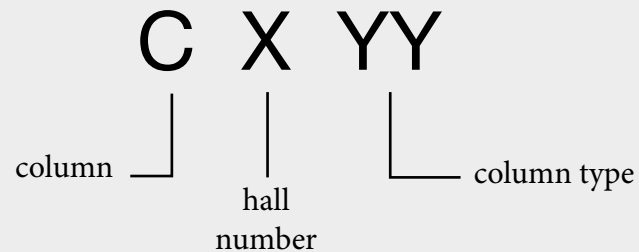


INSTRUCTIONS

Please check the floorplans to locate each column type name.

Columns are named as



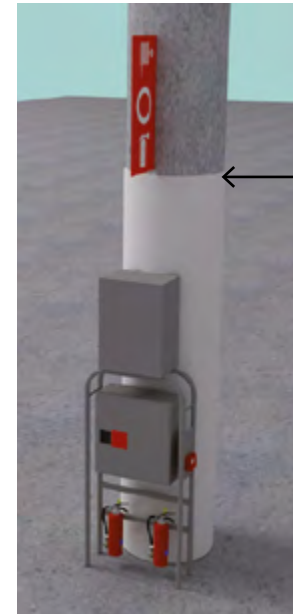
Technical constraints

No construction elements can be supported by or onto walls, columns or other fixed elements of the halls, and adequate protection must be used or a safe distance must be maintained between the construction materials and the hall walls. In no case should the stability of any object, assembly or structure be conditioned to the infrastructure of Fira de Barcelona. All elements must be self-supporting and self-standing.

Hall columns inside the stand can be cladded without damaging them and in accordance with the permitted height regulations, taking into account the fact that, in the case of connection boxes, these boxes can always be registered. Vinyl columns can only be installed by official Fira suppliers. This service can be contracted through the sales department of Fira Barcelona (www.servifira.com)

In the case of cladding or decorating columns with fire equipment, extinguishers, fire alarm call points, signage or any other informational element of the venue, they must always be visible and accessible. They cannot be manipulated nor broken down.

Cladding policy



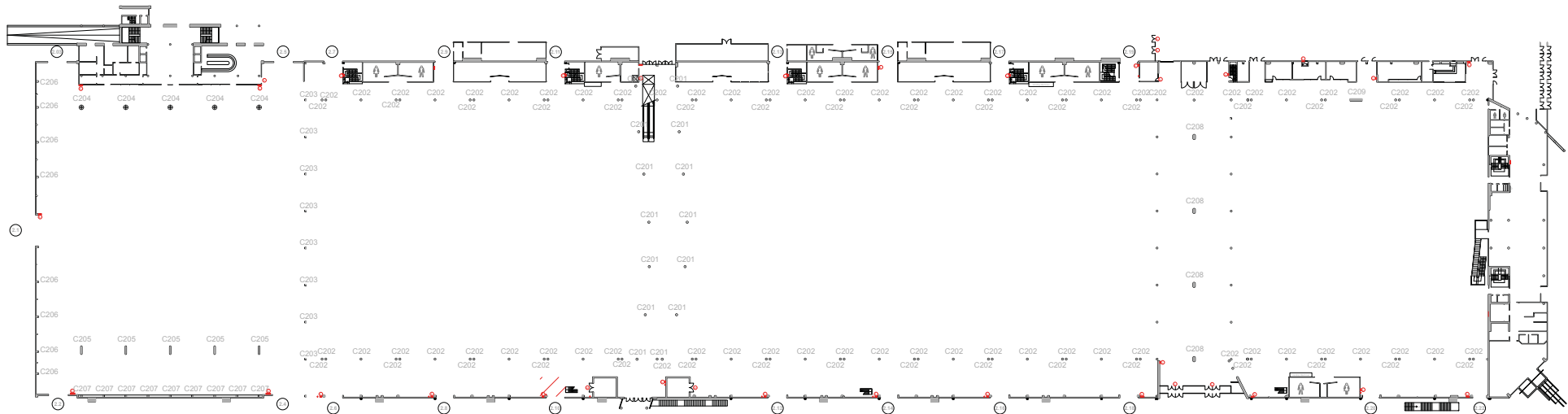
A vinyl can reach up to the upper fire signage



The cladding cannot cover the upper signage

Some of the fire equipment in Halls 3, 4 and 6 include fixed switchboards. These columns are marked with the letter *b* after the type name. The switchboards can be cladded but need to remain accessible during build up and dismantling to other exhibitors.

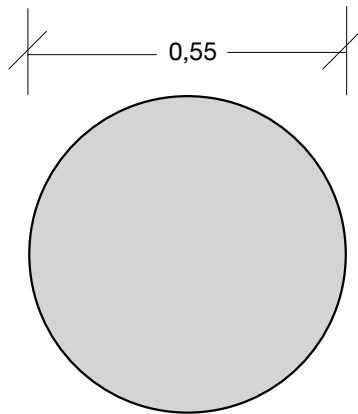
HALL 2 Floorplan



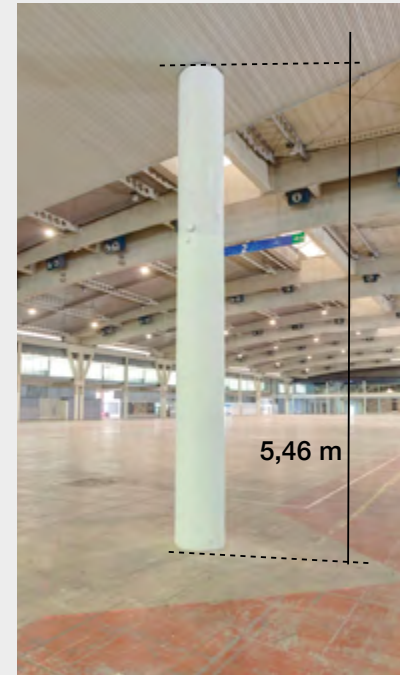
Column details - Gran Via Hall 2

Column type C201

Floorplan & Dimensions



Picture

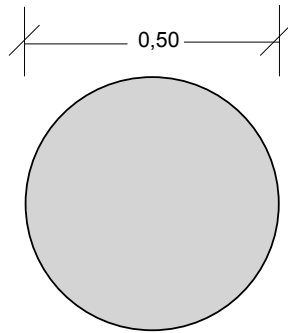


Column details - Gran Via Hall 2

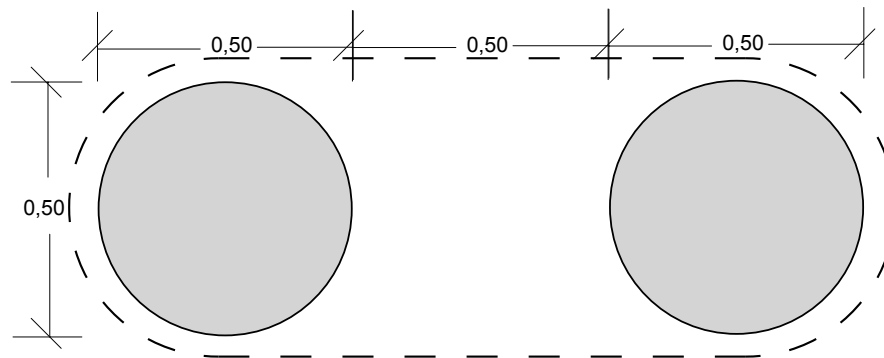
Column type C202

Floorplan & Dimensions

Single



Double



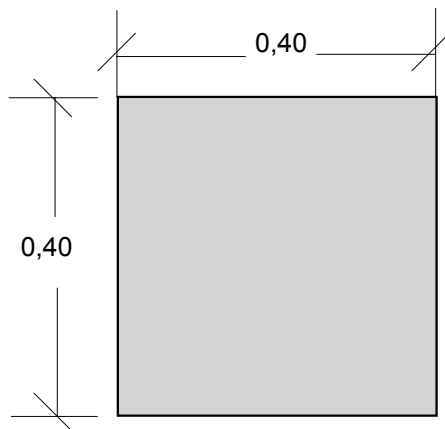
Picture



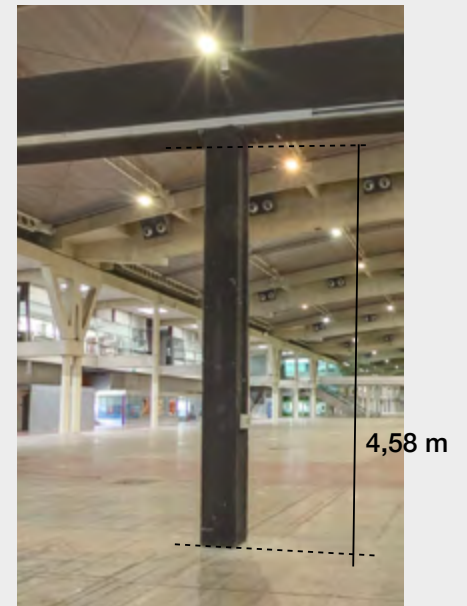
Column details - Gran Via Hall 2

Column type C203

Floorplan & Dimensions



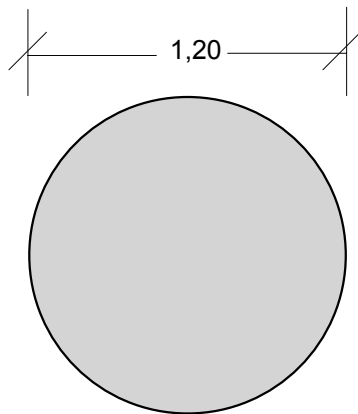
Picture



Column details - Gran Via Hall 2

Column type C204

Floorplan & Dimensions



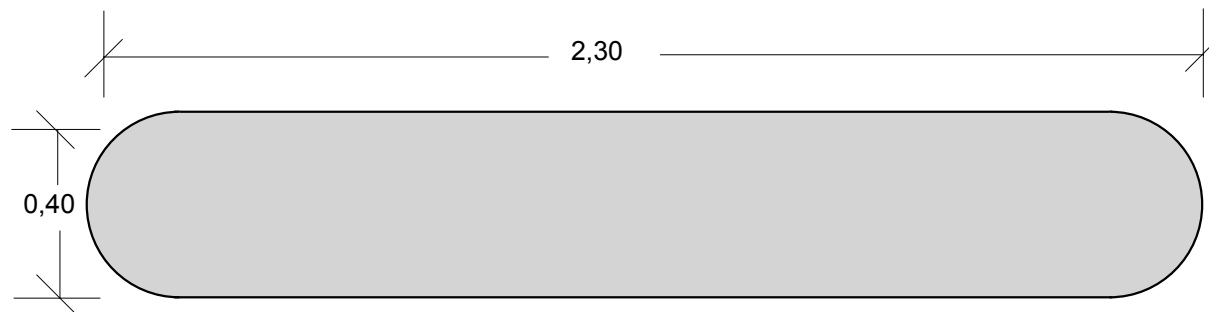
Picture



Column details - Gran Via Hall 2

Column type C205

Floorplan & Dimensions



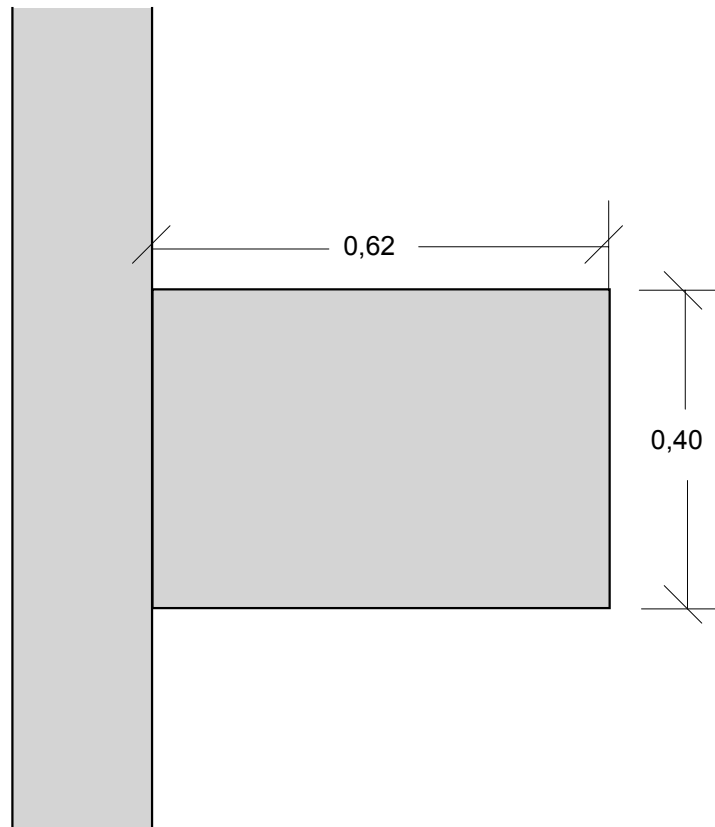
Picture



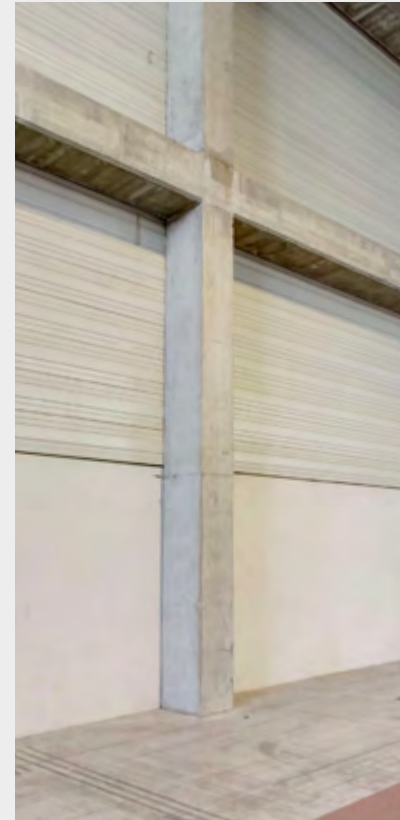
Column details - Gran Via Hall 2

Column type C206

Floorplan & Dimensions



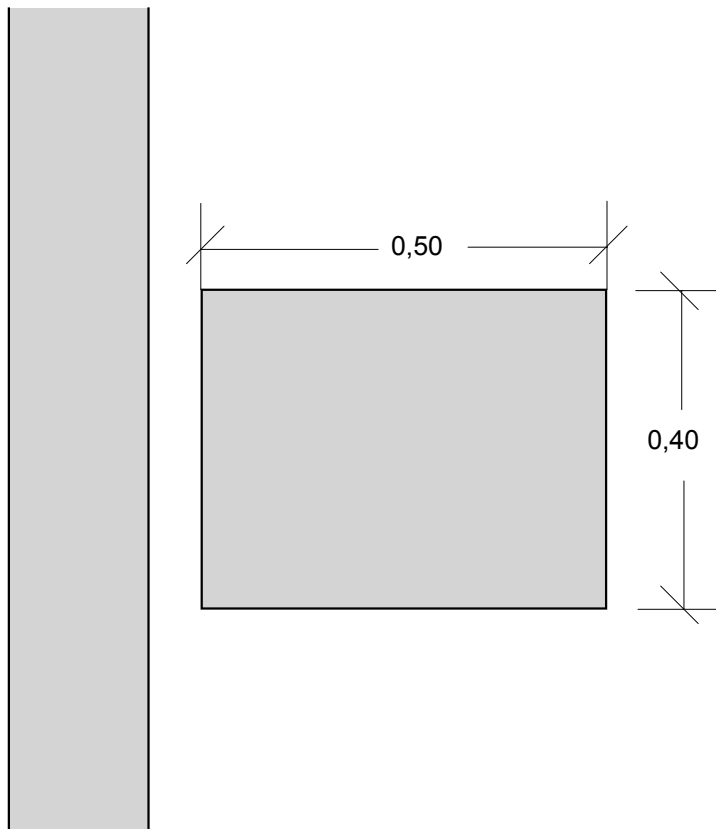
Picture



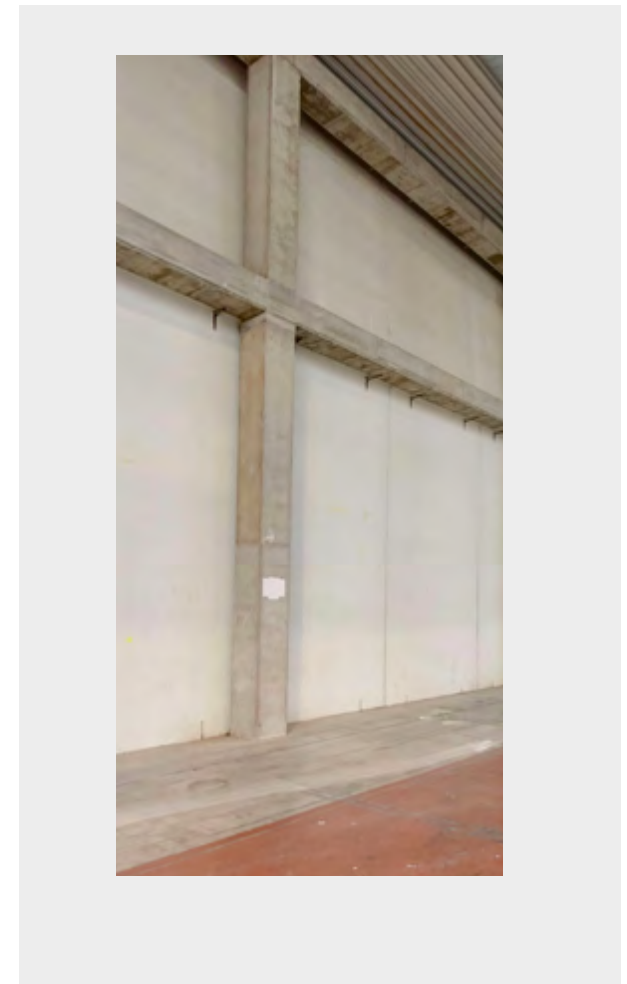
Column details - Gran Via Hall 2

Column type C207

Floorplan & Dimensions



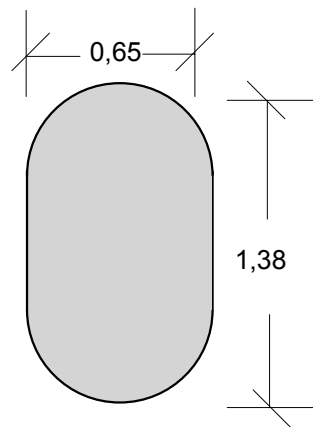
Picture



Column details - Gran Via Hall 2

Column type C208

Floorplan & Dimensions



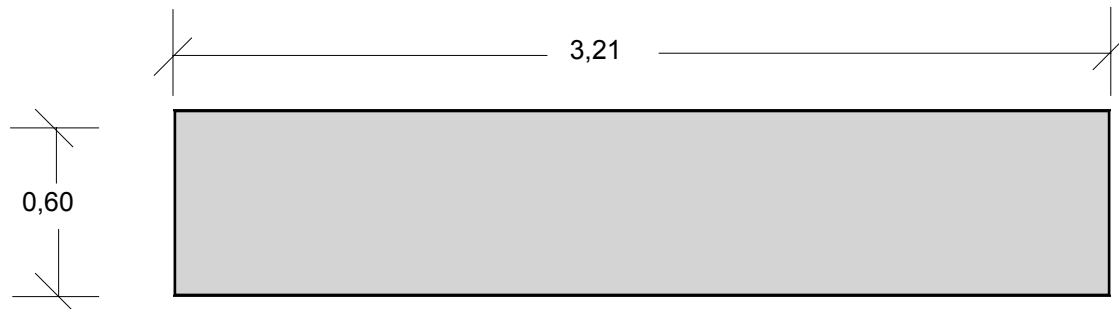
Picture



Column details - Gran Via Hall 2

Column type C209

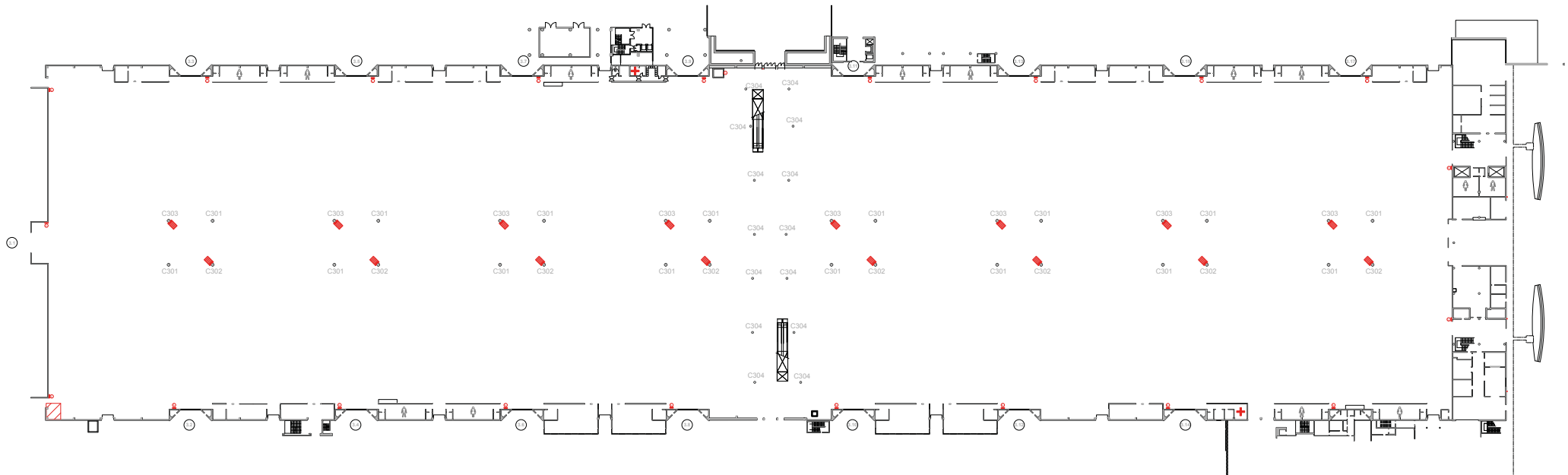
Floorplan & Dimensions



Picture



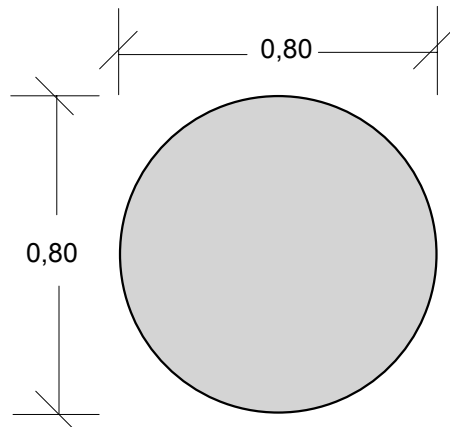
HALL 3 Floorplan



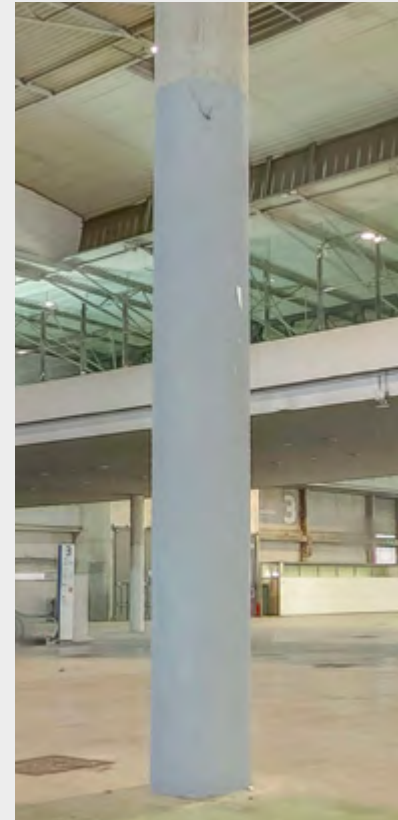
Column details - Gran Via Hall 3

Column type C301

Floorplan & Dimensions



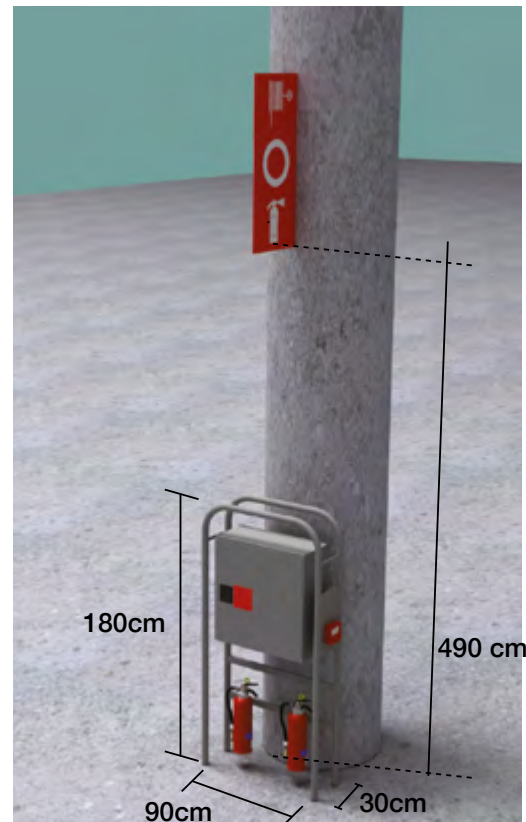
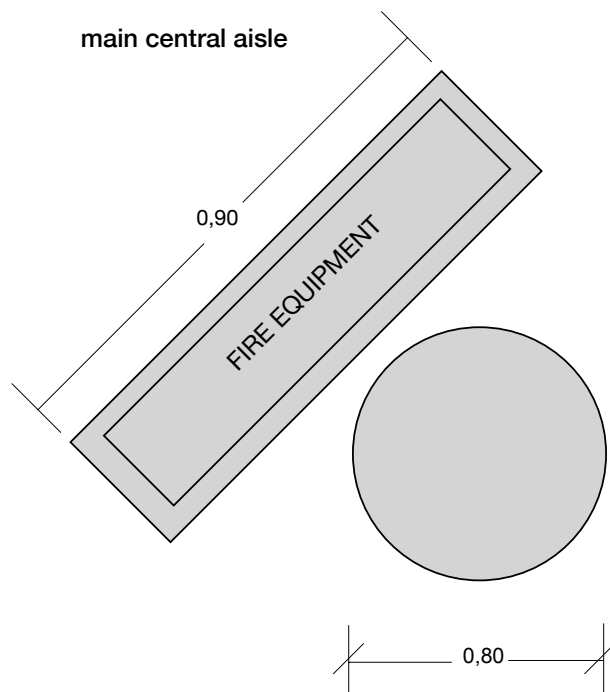
Picture



Column details - Gran Via Hall 3

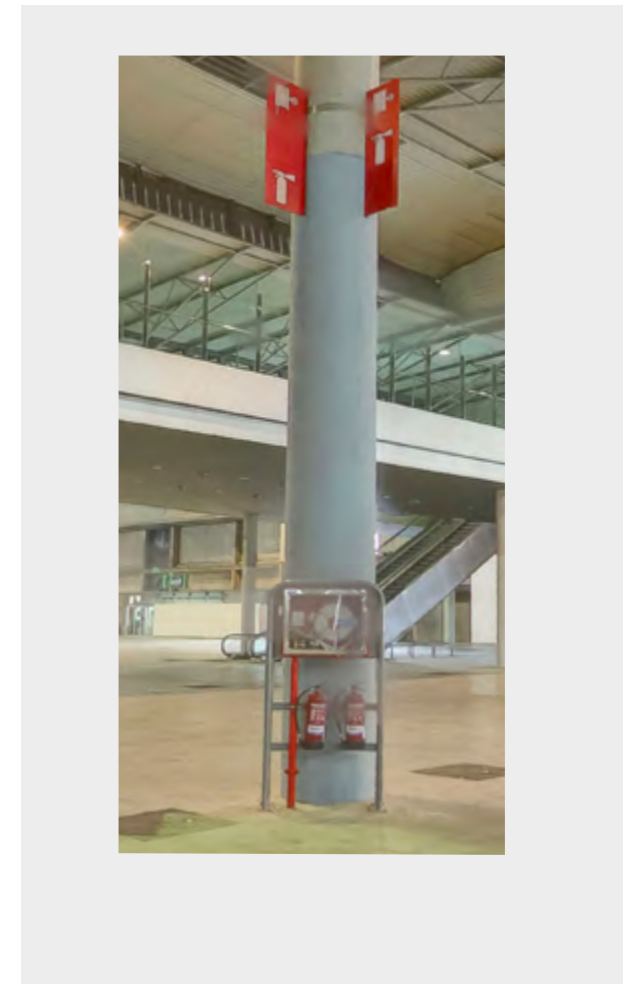
Column type C302

Floorplan & Dimensions



Note that the fire extinguisher equipment and sign need to remain accessible and visible at all times.

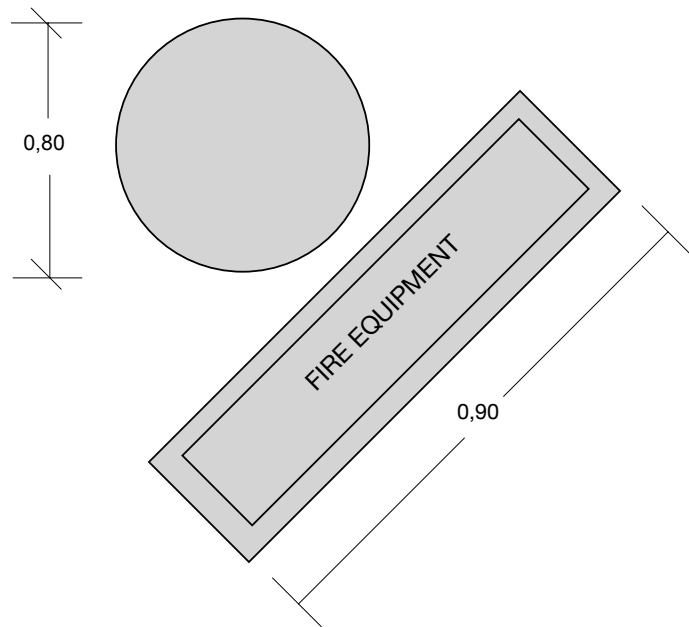
Picture



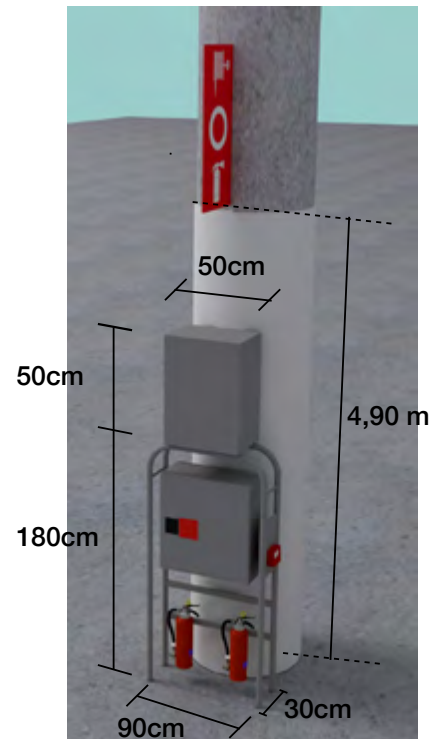
Column details - Gran Via Hall 3

Column type C303

Floorplan & Dimensions

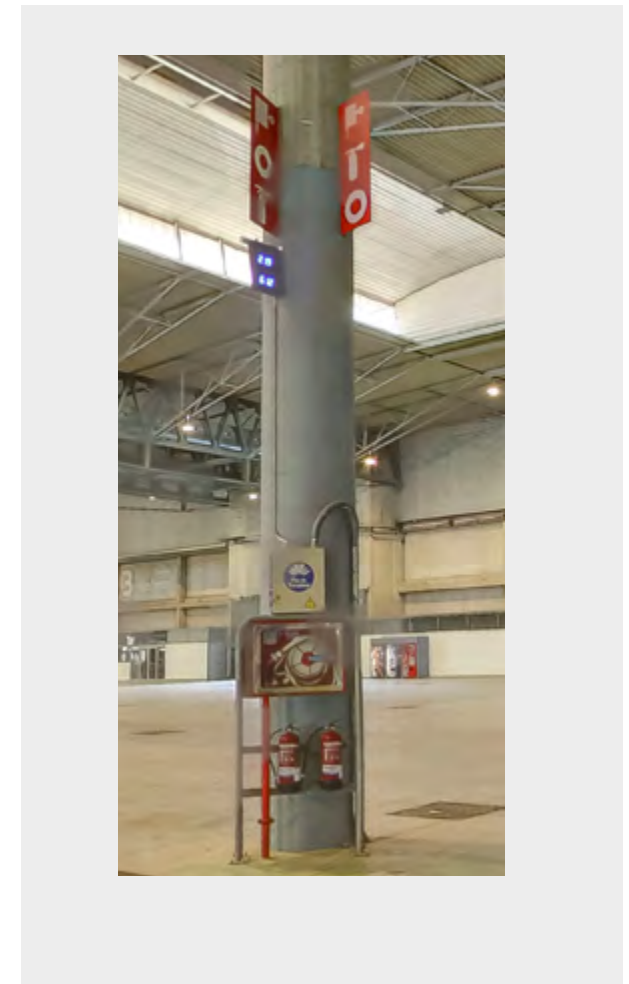


main central aisle



Note that the fire extinguisher equipment and sign need to remain accessible and visible at all times. These columns include a switchboard with 12 schuko type sockets of 10A to be used during build-up only.

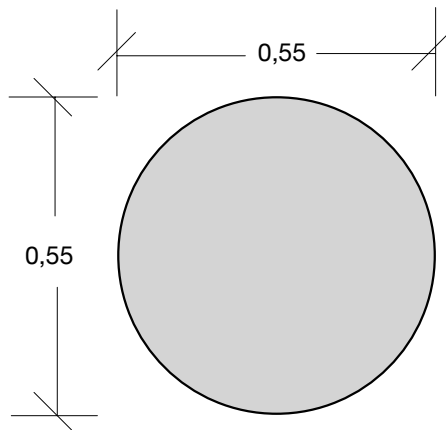
Picture



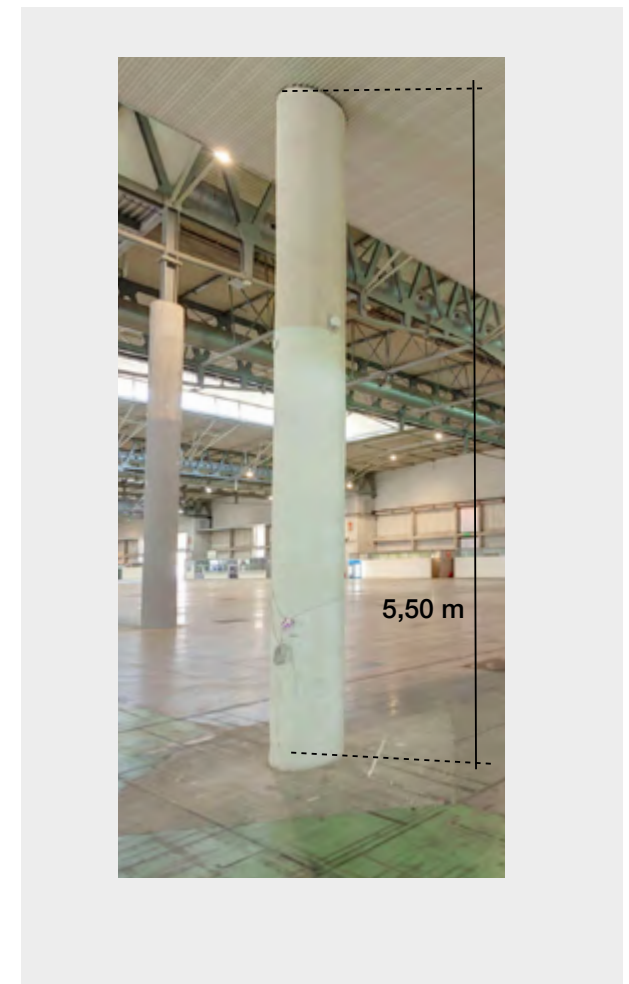
Column details - Gran Via Hall 3

Column type C304

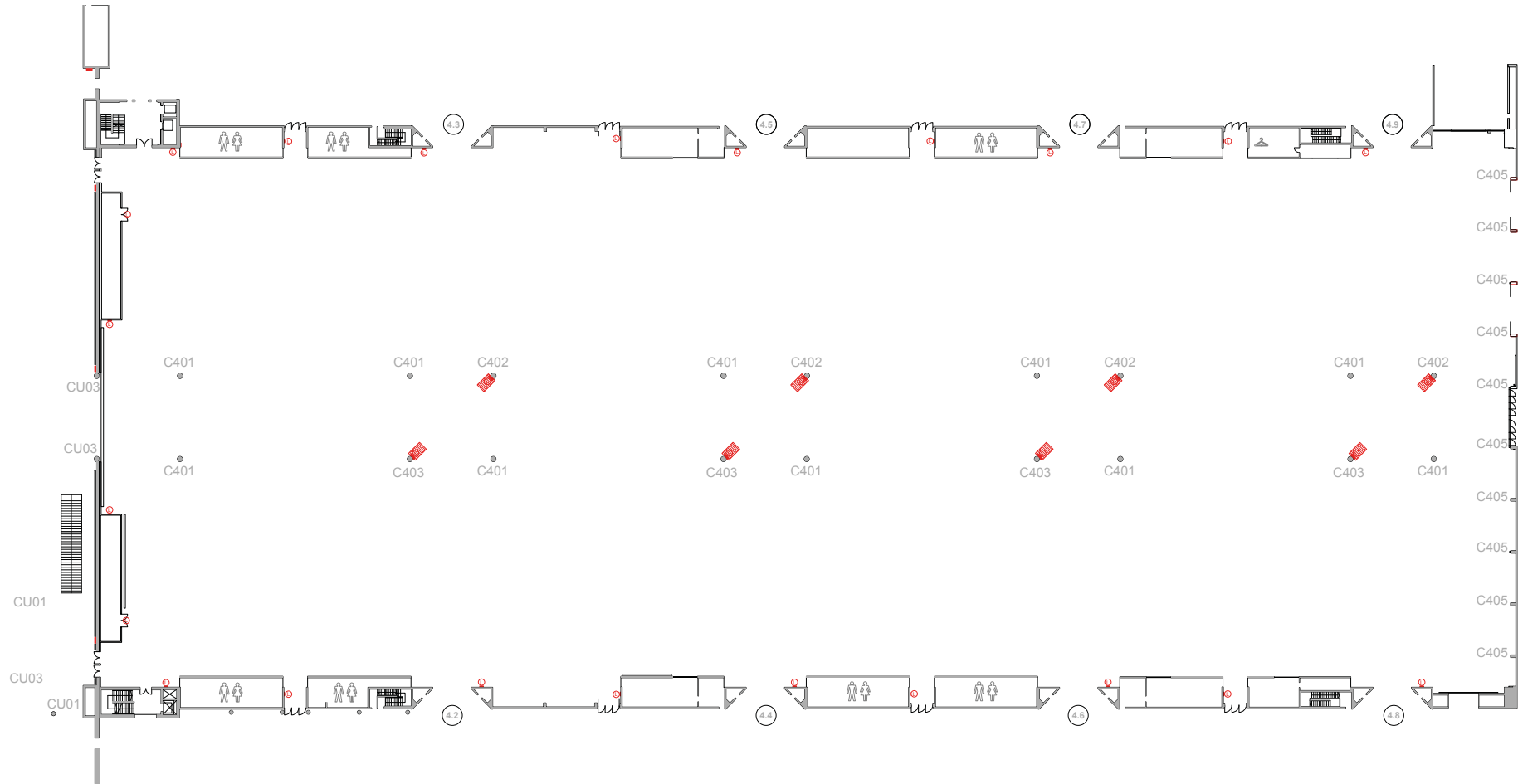
Floorplan & Dimensions



Picture



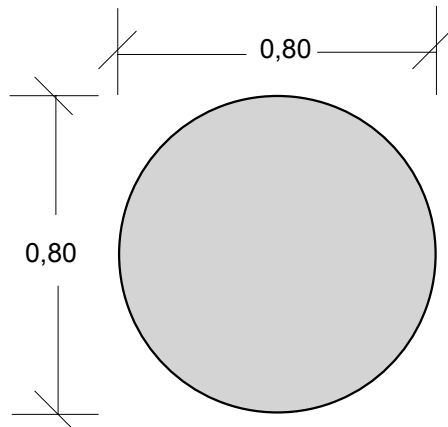
HALL 4 Floorplan



Column details - Gran Via Hall 4

Column type C401

Floorplan & Dimensions



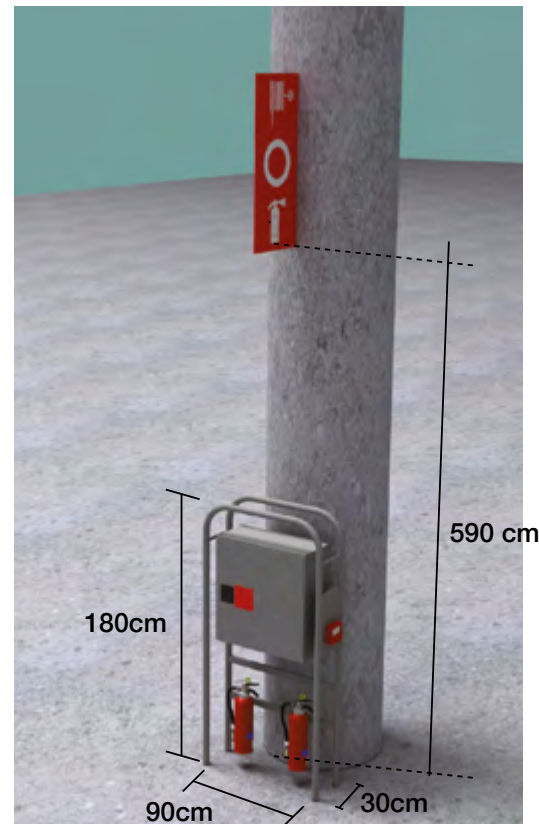
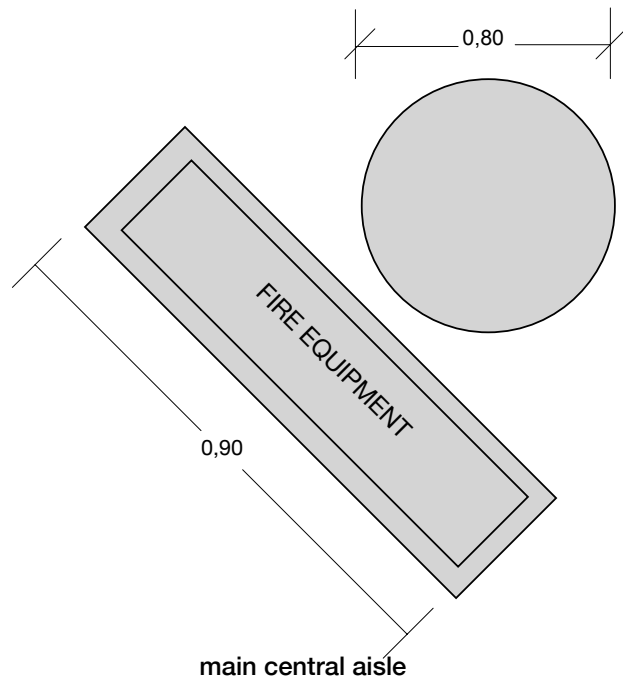
Picture



Column details - Gran Via Hall 4

Column type C402

Floorplan & Dimensions



Note that the fire extinguisher equipment and sign need to remain accessible and visible at all times.

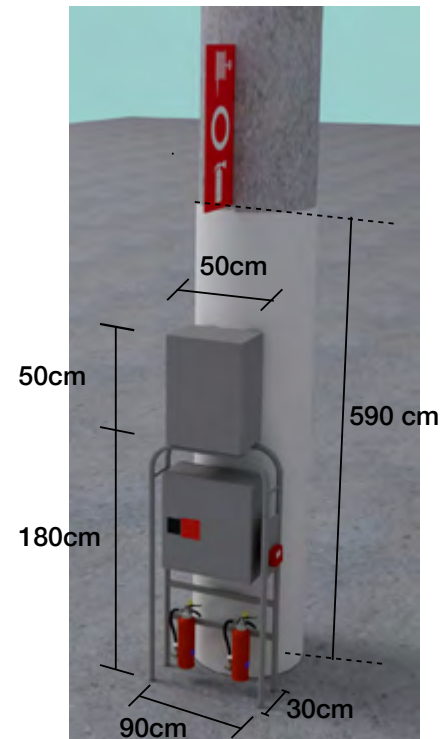
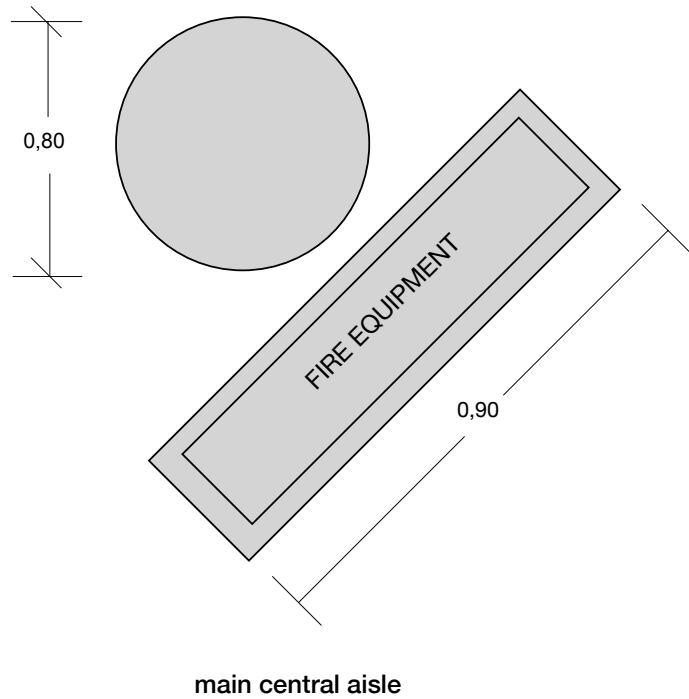
Picture



Column details - Gran Via Hall 4

Column type C403

Floorplan & Dimensions

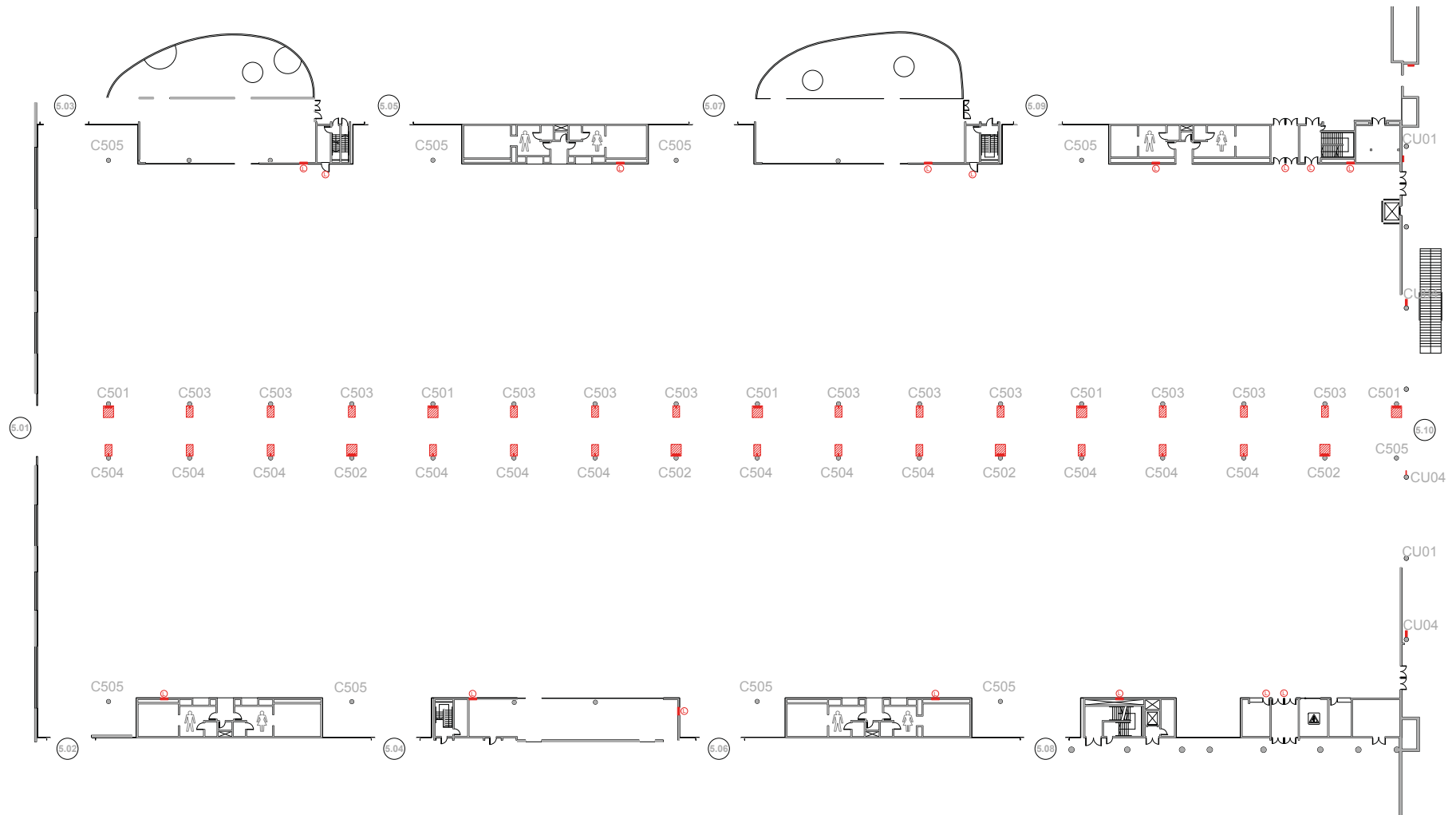


Note that the fire extinguisher equipment and sign need to remain accessible and visible at all times. These columns include a switchboard with 12 schuko type sockets of 10A to be used during build-up only.

Picture



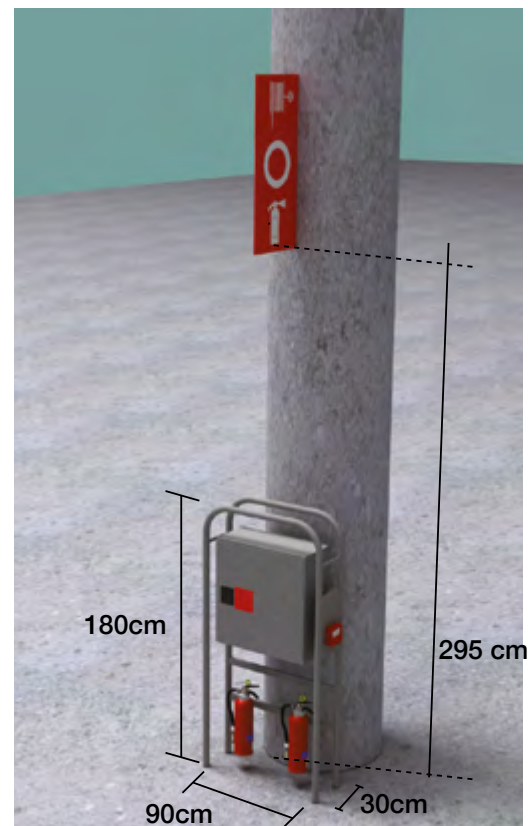
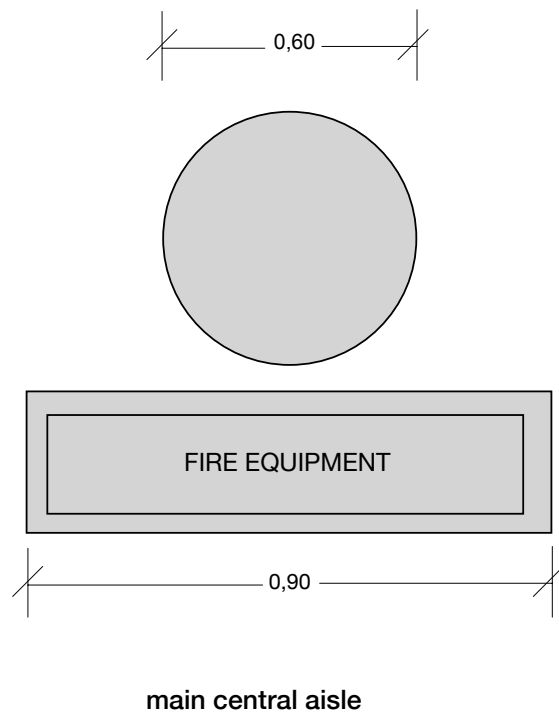
HALL 5 Floorplan



Column details - Gran Via Hall 5

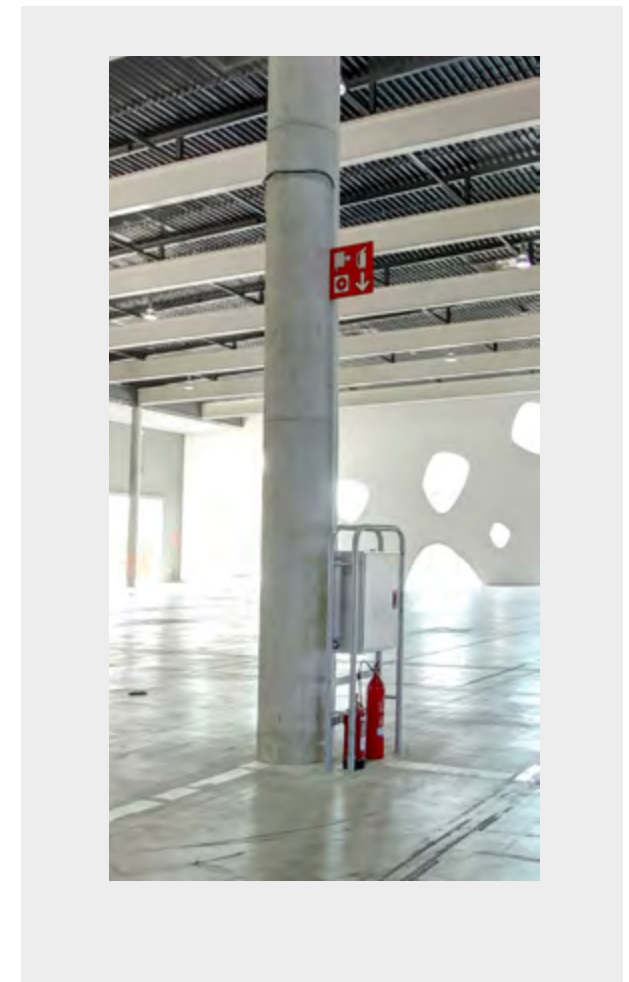
Column type C501

Floorplan & Dimensions



Note that the fire extinguisher equipment and sign need to remain accessible and visible at all times.

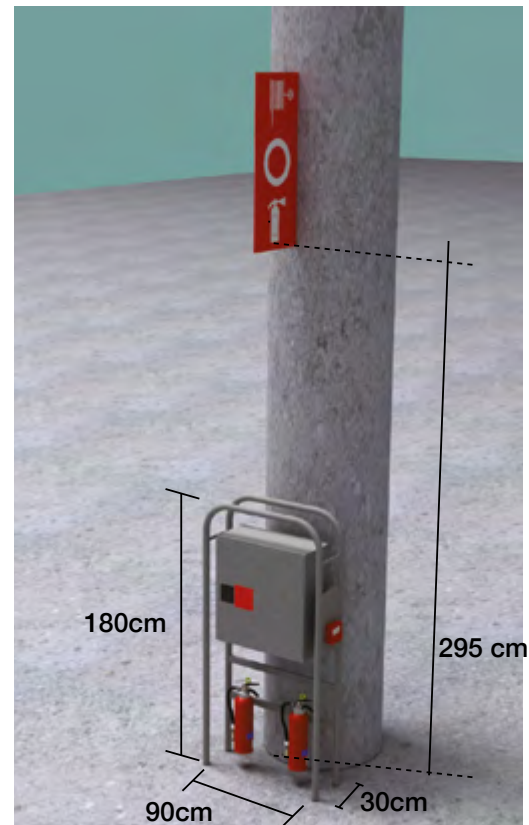
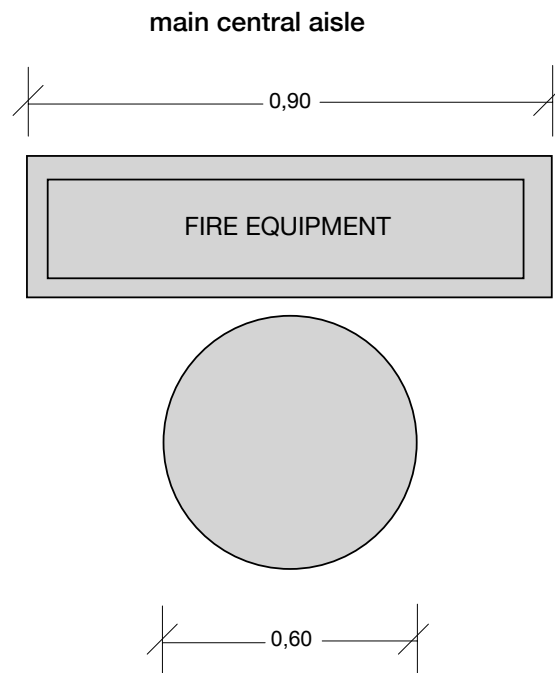
Picture



Column details - Gran Via Hall 5

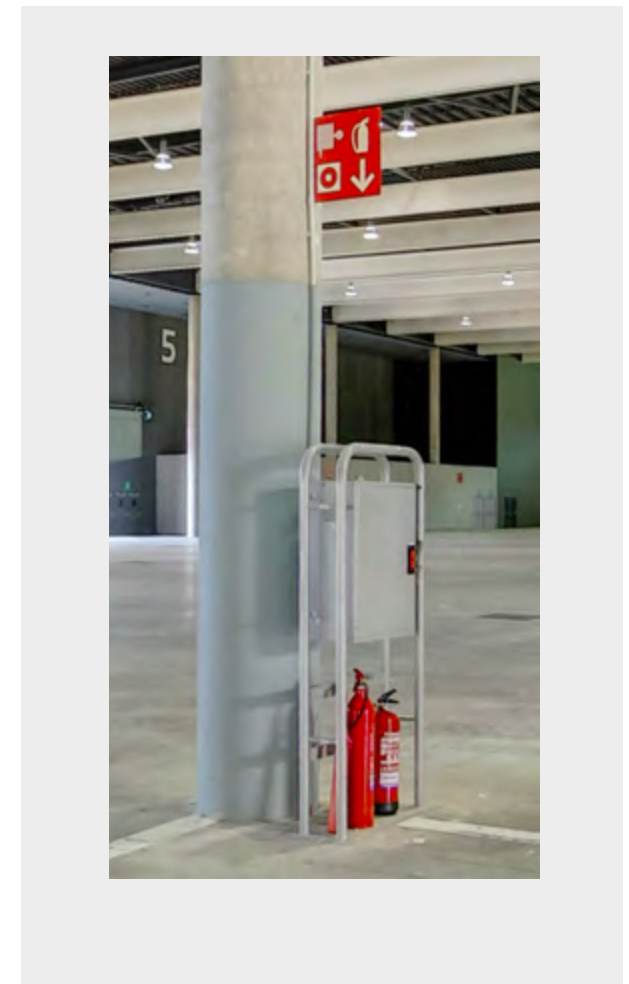
Column type C502

Floorplan & Dimensions



Note that the fire extinguisher equipment and sign need to remain accessible and visible at all times.

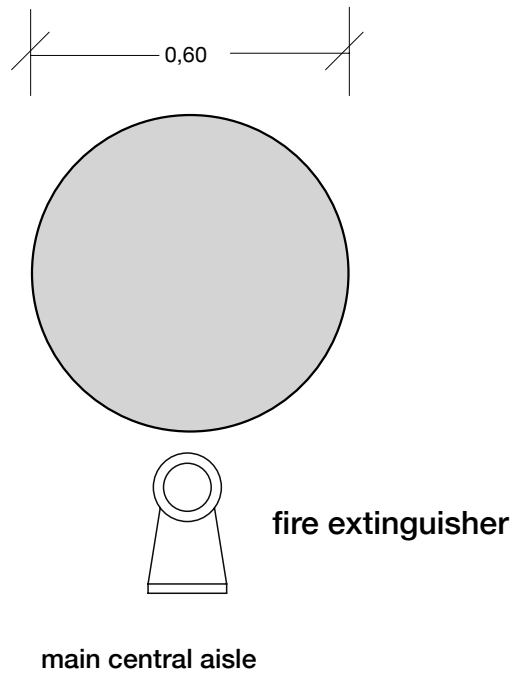
Picture



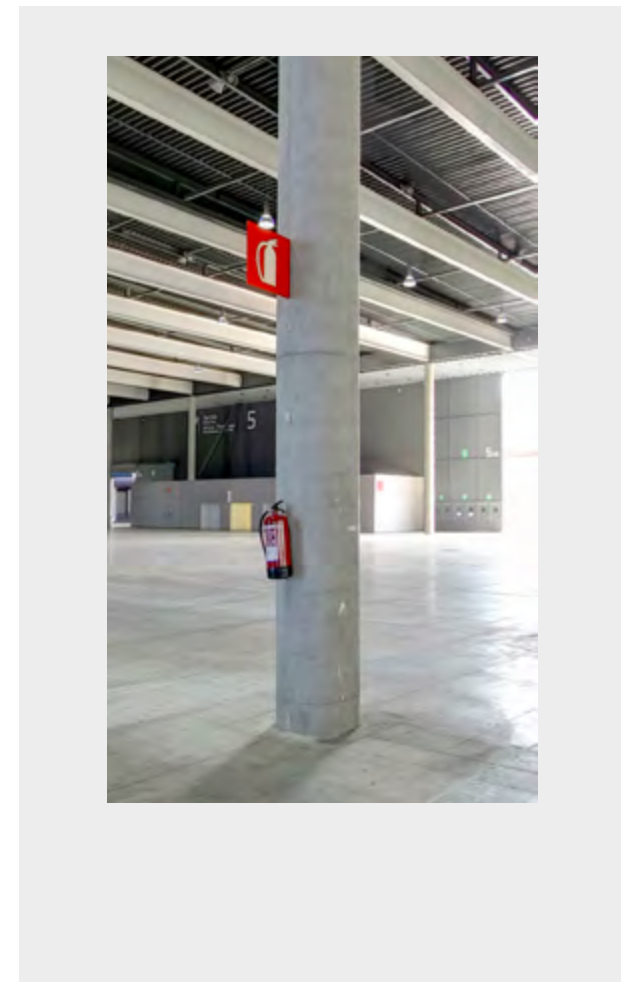
Column details - Gran Via Hall 5

Column type C503

Floorplan & Dimensions



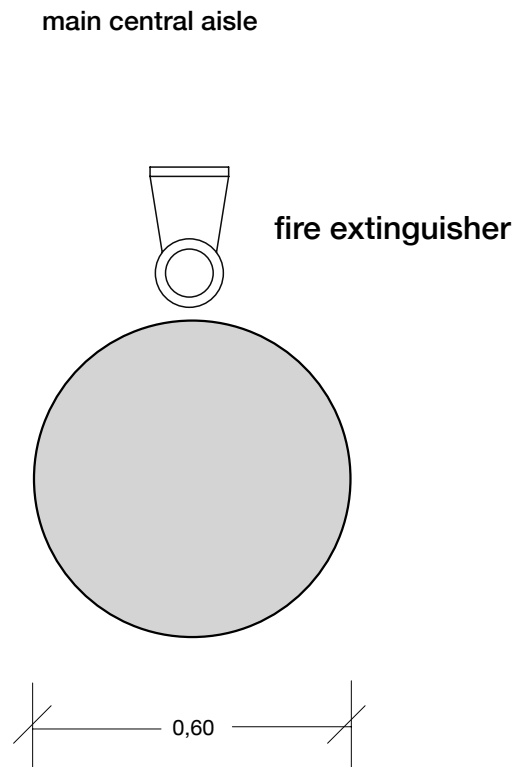
Picture



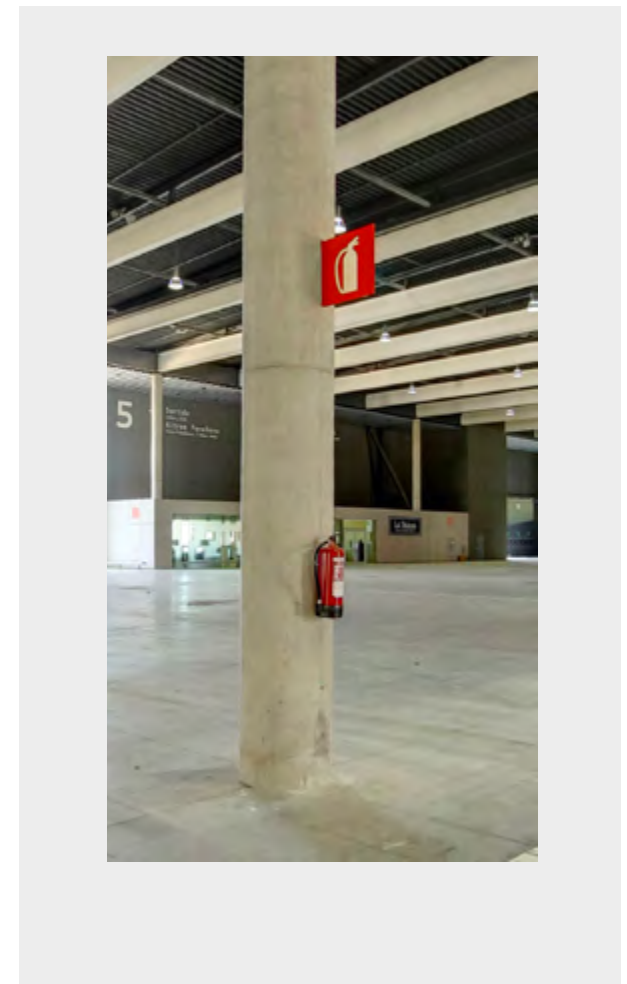
Column details - Gran Via Hall 5

Column type C504

Floorplan & Dimensions



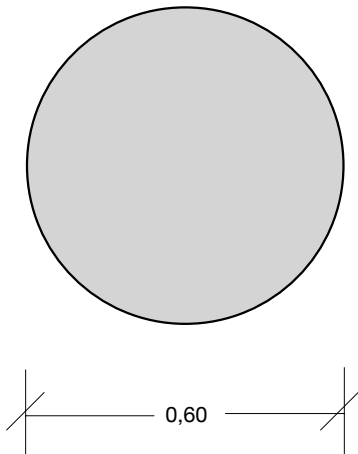
Picture



Column details - Gran Via Hall 5

Column type C505

Floorplan & Dimensions



Picture

